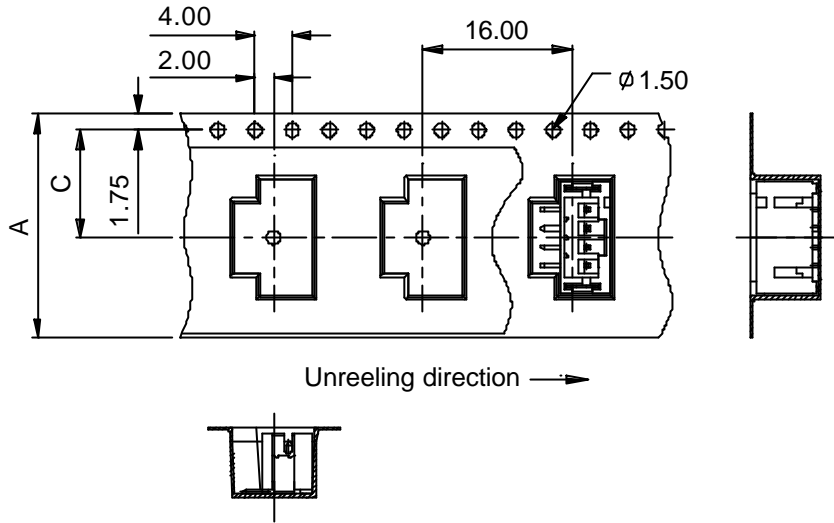


# MS2426 Series

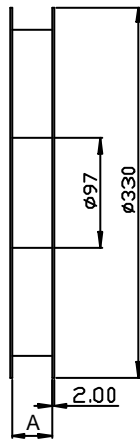
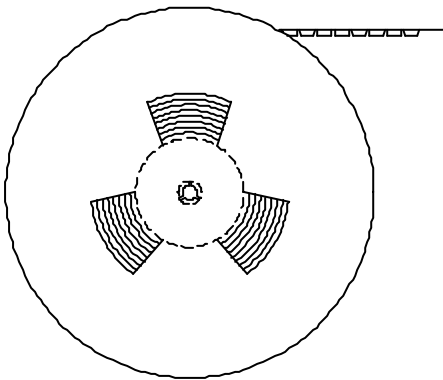
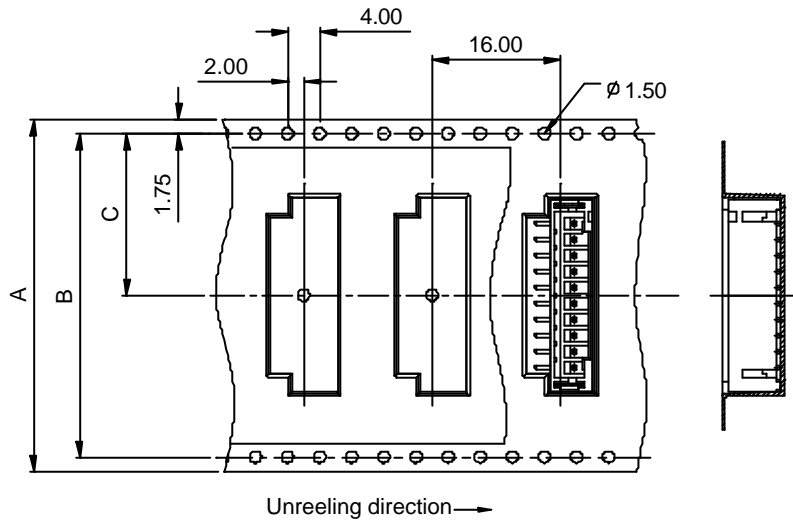
Wire to Board SMT Type Connectors

## Embossed carries tape dimensional drawing

### POSITION NO.2-5



### POSITION NO.6-16



PIN	A	B	C	PIN	A	B	C
2	16.00	/	7.50	10	44.00	40.40	20.20
3	24.00		11.50	11	44.00	40.40	20.20
4	24.00		11.50	12	44.00	40.40	20.20
5	24.00		11.50	13	44.00	40.40	20.20
6	32.00		28.40	14.20	14	56.00	52.40
7	32.00	28.40	14.20	15	56.00	52.40	26.20
8	32.00	28.40	14.20	16	56.00	52.40	26.20
9	44.00	40.40	20.20	/			

**SIN SHENG**  
TERMINAL & MACHINE INC.

Head Office, Taiwan  
TEL: 886-7-6283189  
FAX: 886-7-6283440  
stmtw@ms7.hinet.net

Taipei Office  
TEL: 886-2-87519922  
FAX: 886-2-87519911  
stmtw@ms7.hinet.net

Malaysia Office  
TEL: 60-3-79809325  
FAX: 60-3-79809242  
stmmv@tm.net.my

GuangDong Factory  
TEL: 86-769-7941000  
FAX: 86-769-7941004  
ting@stm.com.tw

Suzhou Office  
TEL: 86-512-67623051  
FAX: 86-512-67629522  
zusv@stm.com.tw