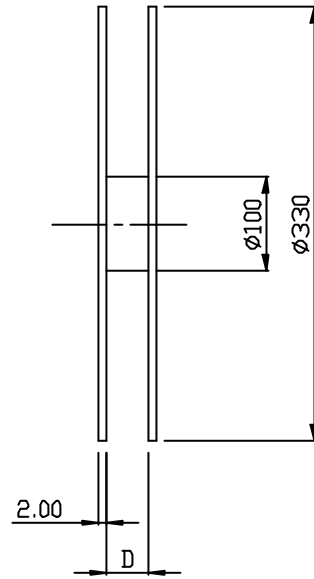
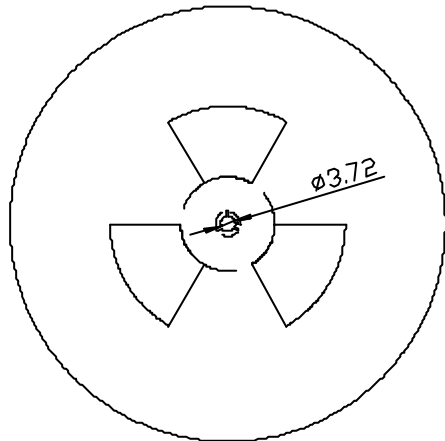
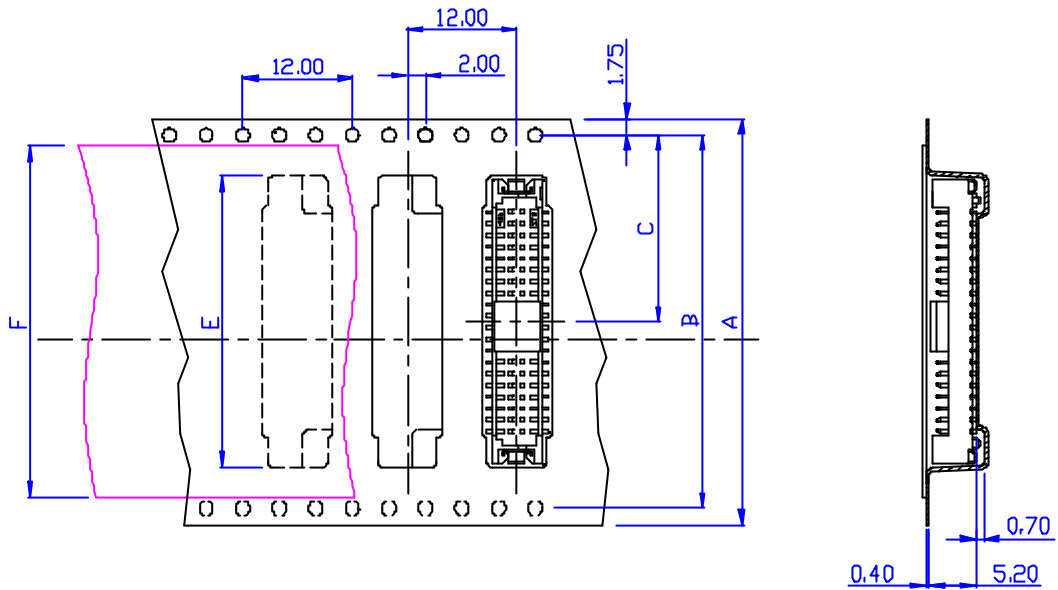


2403 Series Wire to Board SMT Type Connectors

Embossed carries tape dimensional drawing



PIN	A	B	C	D	E	F
2×5	24		11.50	24.40	12.20	21.50
2×10	32	28.40	14.20	32.40	18.40	25.50
2×15	44	40.40	20.20	44.40	24.70	37.00
2×20	44	40.40	20.20	44.40	30.95	37.00

SIN SHENG TERMINAL & MACHINE INC.

Head Office, Taiwan
TEL: 886-7-6283189
FAX: 886-7-6283440
stmtw@ms7.hinet.net

Taipei Office
TEL: 886-2-27644190
FAX: 886-2-27603605
stmtw@ms7.hinet.net

Hong Kong Office
TEL: 852-26885823
FAX: 852-26885837
stmhk@netvigator.com

Malaysia Office
TEL: 60-3-22722201
FAX: 60-3-22722203
stmmy@tm.net.my

Singapore Office
TEL: 65-2845685
FAX: 65-2843598
stmstp@mbox5.singnet.com.sg

China Factory
TEL: 86-769-3450401
FAX: 86-769-3450402
stmch@dgnet.net