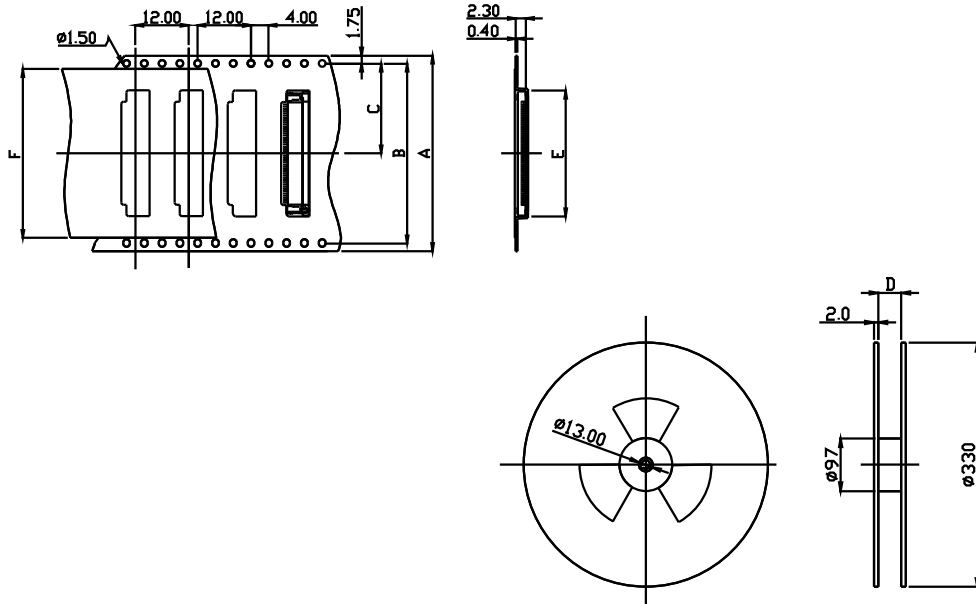


2406 FFC/FPC Connectors



Embossed Carrier Tape Dimensional Drawing



Unit: mm

POS.	A	B	C	D	E	F
15	24.00		11.50	24.40	13.30	21.50
20	24.00		11.50	24.40	15.80	25.50
30	32.00	28.40	14.20	32.40	20.80	25.50
35	44.00	40.40	20.20	44.40	23.30	37.50
45	44.00	40.40	20.20	44.40	28.30	37.50
50	44.00	40.40	20.20	44.40	30.80	37.50

0.5mm