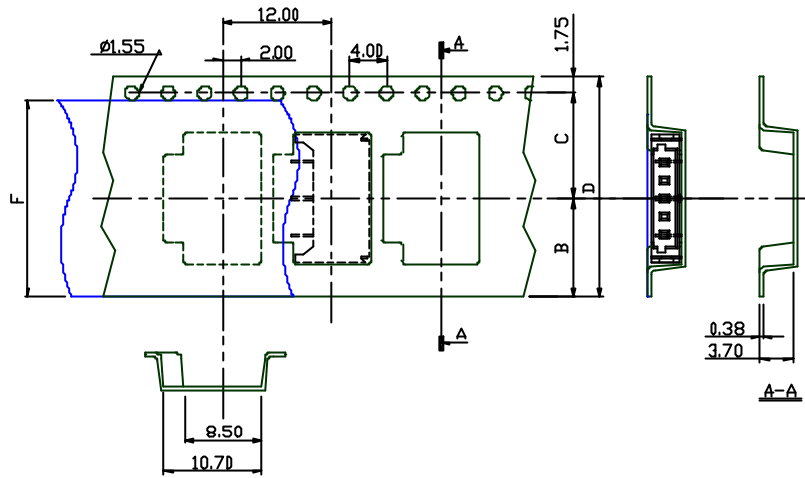


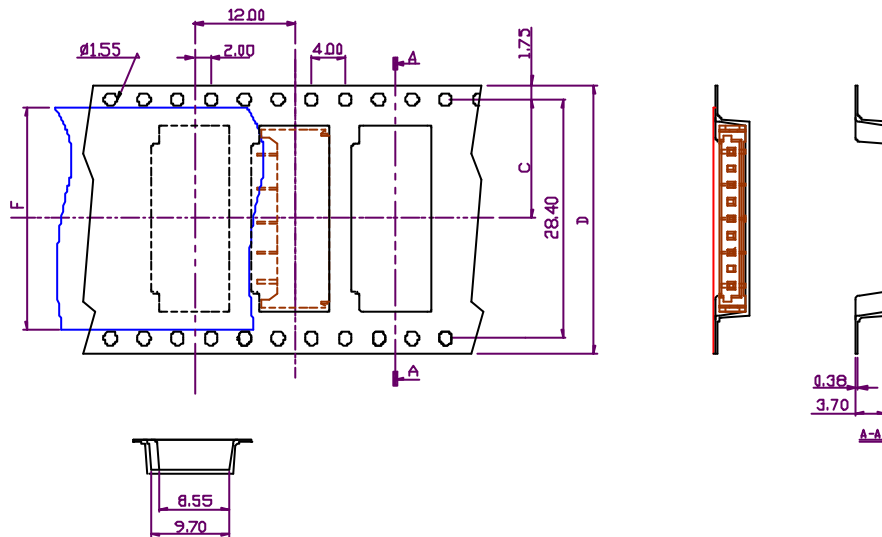
MS24211 Series Wire to Board SMT Type Connectors

Embossed carries tape dimensional drawing

POSITION NO.3、 5、 7



POSITION NO.9



SIN SHENG
TERMINAL & MACHINE INC.

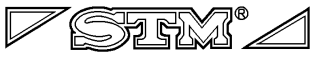
Head Office, Taiwan
TEL: 886-7-6283189
FAX: 886-7-6283440
stmtw@ms7.hinet.net

Taipei Office
TEL: 886-2-87519922
FAX: 886-2-87519911
stmtw@ms7.hinet.net

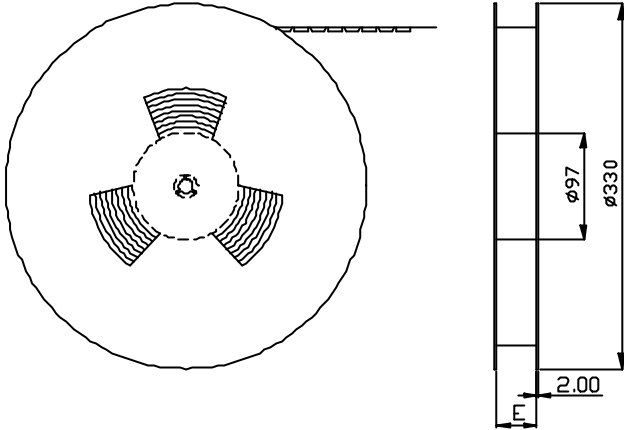
Malaysia Office
TEL: 60-3-79809325
FAX: 60-3-79809242
stmmv@tm.net.my

GuangDong Factory
TEL: 86-769-7941000
FAX: 86-769-7941004
ting@stm.com.tw

Suzhou Office
TEL: 86-512-67623051
FAX: 86-512-67629522
zusv@stm.com.tw



MS24211 Series Wire to Board SMT Type Connectors



NO.	B	C	D	E	F
MS24-211P3	6.75	7.50	16.00	17.50	13.50
MS24-211P5	10.75	11.50	24.00	25.50	21.50
MS24-211P7	10.75	11.50	24.00	25.50	21.50
MS24-211P9	14.75	15.50	32.00	33.50	29.50

SIN SHENG
TERMINAL & MACHINE INC.

Head Office, Taiwan
TEL: 886-7-6283189
FAX: 886-7-6283440
stmtw@ms7.hinet.net

Taipei Office
TEL: 886-2-87519922
FAX: 886-2-87519911
stmtw@ms7.hinet.net

Malaysia Office
TEL: 60-3-79809325
FAX: 60-3-79809242
stmmv@tm.net.my

GuangDong Factory
TEL: 86-769-7941000
FAX: 86-769-7941004
ting@stm.com.tw

Suzhou Office
TEL: 86-512-67623051
FAX: 86-512-67629522
zusv@stm.com.tw