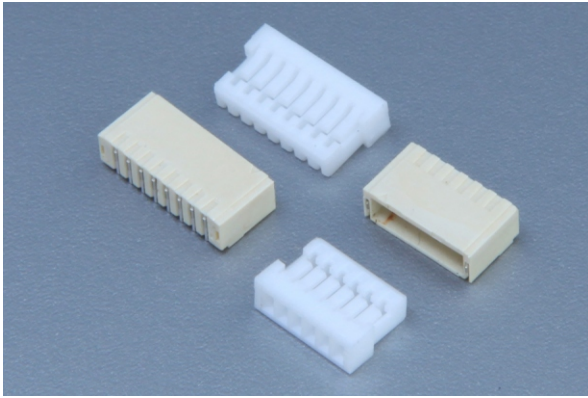


24039-MSA



Pitch **1.0mm** Wire to Board Connectors - SMT Type



PERFORMANCE

Electrical Rating: AC/DC 125V 1A

額定電壓電流

Insulation Resistance: 100MΩ min.

絕緣阻抗

Withstanding Voltage: 500V AC/minute

耐電壓

Temperature Range: -25°C~+85°C

適用溫度



1.0mm

CONNECTOR

Part No.: MSA24039P6~MSA24039P8

產品編號

Material: Housing: LCP 94V-0

材質

塑膠座

Contact Pin: Brass

接觸針

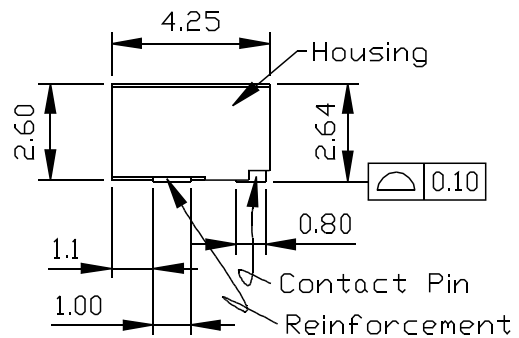
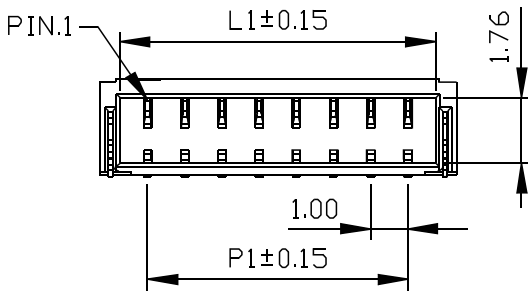
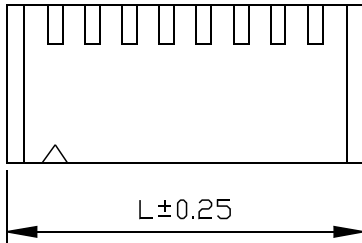
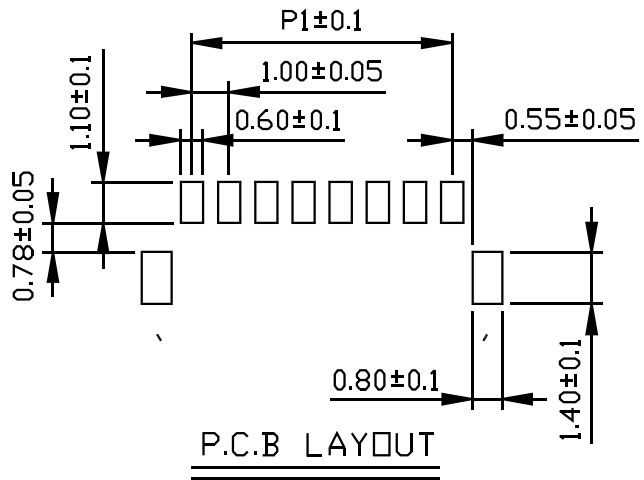
黃銅

Applicable Wire: AWG#28

適用電線

Packing: 2,000PCS (REEL)

包裝數量



TOLERANCE	
.0	±0.25
.00	±0.15
.000	±0.0

Unit: mm

Part No.	POS.	L	L1	P1
MSA24039P6	6	7.50	6.50	5.00
MSA24039P8	8	9.50	8.50	7.00

Behave in conformity with continual product development policy, SinSheng (STM) reserves the right of specification changing of contents described in this catalogue at any time and without prior notice. Please contact the sales department nearby for most updated information.
由於產品持續開發的政策，信盛(STM)保留隨時變更本目錄所述之規格且不需提前通知的權利。請聯繫業務處查詢最新的產品資訊。