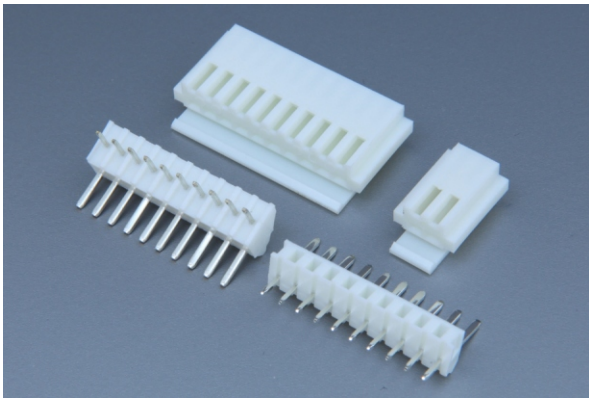


24187



Pitch 2.5mm Wire to Board Connectors



PERFORMANCE

Electrical Rating: AC/DC 250V 3A
 額定電壓電流
 Insulation Resistance: 1000MΩ min.
 絕緣阻抗
 Withstanding Voltage: 1000V AC/minute
 耐電壓
 Temperature Range: -25°C~+85°C
 適用溫度



CONNECTOR - Top Entry Type

Part No.: M241872~M2418720

產品編號

Material: Housing: Nylon 94V-0

材質

Contact Pin: Brass, Tin-plated

接觸針 黃銅, 鍍錫

Suitable Contact: 24187BS-2 24187PS-2

配合端子

Suitable Housing: P241872~P2418720

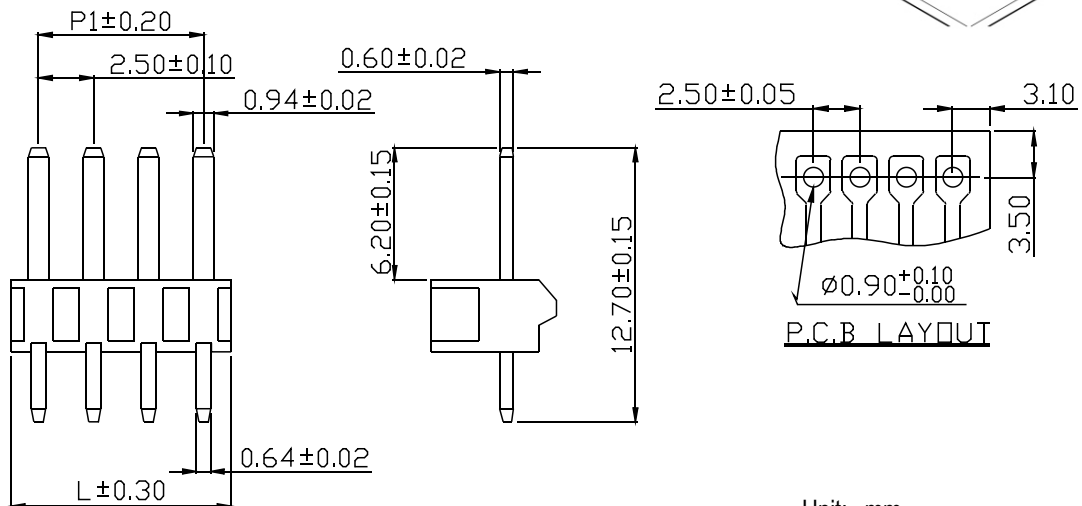
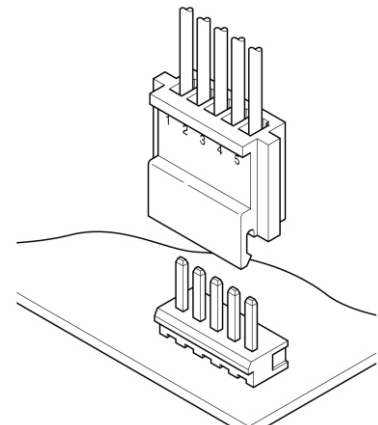
配合塑膠

Applicable Wire: AWG# 20~24

適用電線

Square Contact Pin: 0.64±0.02mm

方型接觸針



Unit: mm

Part No.	POS.	L	P1	Pack.	Part No.	POS.	L	P1	Pack.
M241872	2	5.00	2.50	1000	M2418712	12	30.00	27.50	500
M241873	3	7.50	5.00	1000	M2418713	13	32.50	30.00	500
M241874	4	10.00	7.50	1000	M2418714	14	35.00	32.50	500
M241875	5	12.50	10.00	500	M2418715	15	37.50	35.00	500
M241876	6	15.00	12.50	500	M2418716	16	40.00	37.50	500
M241877	7	17.50	15.00	500	M2418717	17	42.50	40.00	500
M241878	8	20.00	17.50	500	M2418718	18	45.00	42.50	500
M241879	9	22.50	20.00	500	M2418719	19	47.50	45.00	500
M2418710	10	25.00	22.50	500	M2418720	20	50.00	47.50	500
M2418711	11	27.50	25.00	500					

Behave in conformity with continual product development policy, Sin Sheng (STM) reserves the right of specification changing of contents described in this catalogue at any time and without prior notice. Please contact the sales department nearby for most updated information.
 由於產品持續開發的政策, 信盛(STM)保留隨時變更本目錄所述之規格且不需提前通知的權利, 請連繫業務處查詢最新的產品資訊。

2.5mm

24187 Wire to Board Connectors



CONNECTOR - Side Entry Type

Part No.: M241872R~M2418720R

產品編號

Material: Housing: Nylon 94V-0

材質 塑膠座

Contact Pin: Brass, Tin-plated

接觸針 黃銅, 鍍錫

Suitable Contact: 24187BS-2 24187PS-2

配合端子

Suitable Housing: P241872~P2418720

配合塑膠

Applicable Wire: AWG# 20~24

適用電線

Square Contact Pin: 0.64±0.02mm

方型接觸針

PERFORMANCE

Electrical Rating: AC/DC 250V 3A

額定電壓電流

Insulation Resistance: 1000MΩ min.

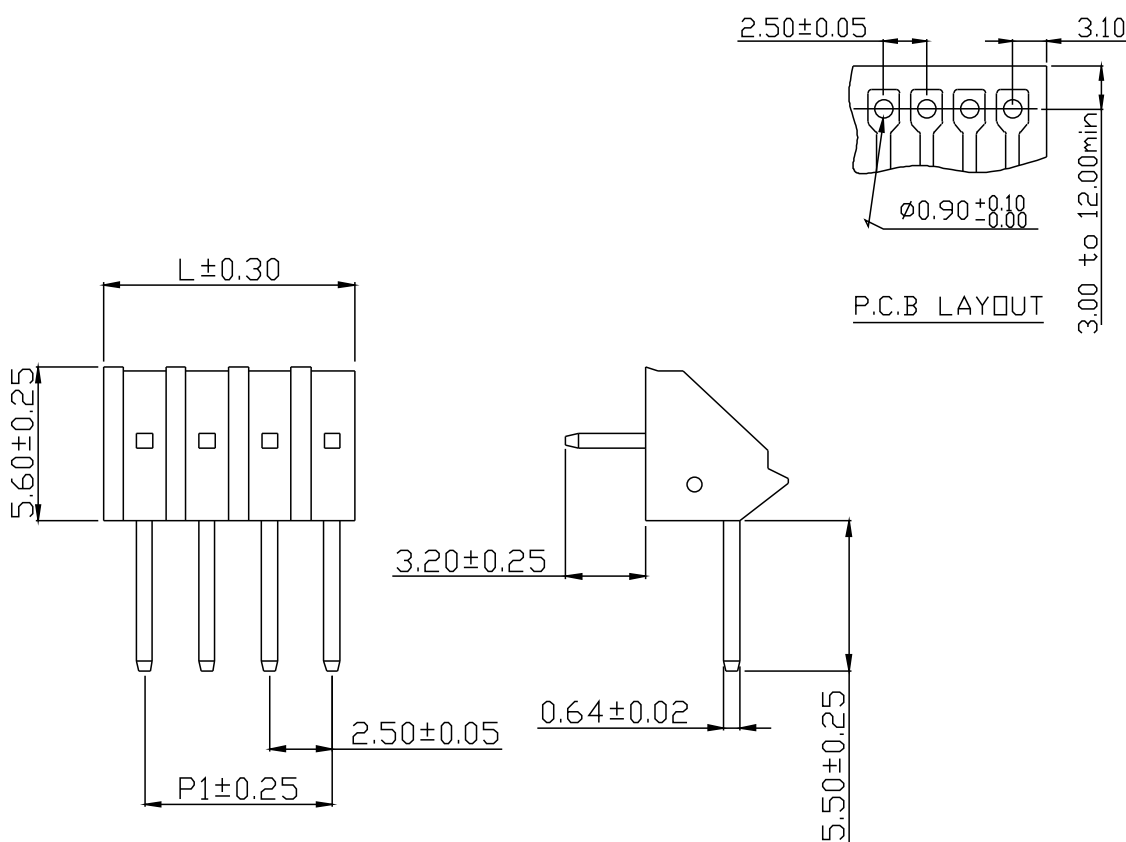
絕緣阻抗

Withstanding Voltage: 1000V AC/minute

耐電壓

Temperature Range: -25°C~+85°C

適用溫度



Unit: mm

Part No.	POS.	L	P1	Pack.	Part No.	POS.	L	P1	Pack.
M241872R	2	5.00	2.50	1000	M2418712R	12	30.00	27.50	500
M241873R	3	7.50	5.00	1000	M2418713R	13	32.50	30.00	500
M241874R	4	10.00	7.50	1000	M2418714R	14	35.00	32.50	500
M241875R	5	12.50	10.00	500	M2418715R	15	37.50	35.00	500
M241876R	6	15.00	12.50	500	M2418716R	16	40.00	37.50	500
M241877R	7	17.50	15.00	500	M2418717R	17	42.50	40.00	500
M241878R	8	20.00	17.50	500	M2418718R	18	45.00	42.50	500
M241879R	9	22.50	20.00	500	M2418719R	19	47.50	45.00	500
M2418710R	10	25.00	22.50	500	M2418720R	20	50.00	47.50	500
M2418711R	11	27.50	25.00	500					

24187 Wire to Board Connectors



HOUSING

Part No.: P241872~P2418720

產品編號

Material: Nylon 94V-0

材質

Suitable Contact: 24187BS-2 24187PS-2

配合端子

Suitable Connector: M241872~M2418720

配合公座

M241872R~M2418720R

Applicable Wire: AWG# 20~24

適用電線

PERFORMANCE

Electrical Rating: AC/DC 250V 3A

額定電壓電流

Insulation Resistance: 1000MΩ min.

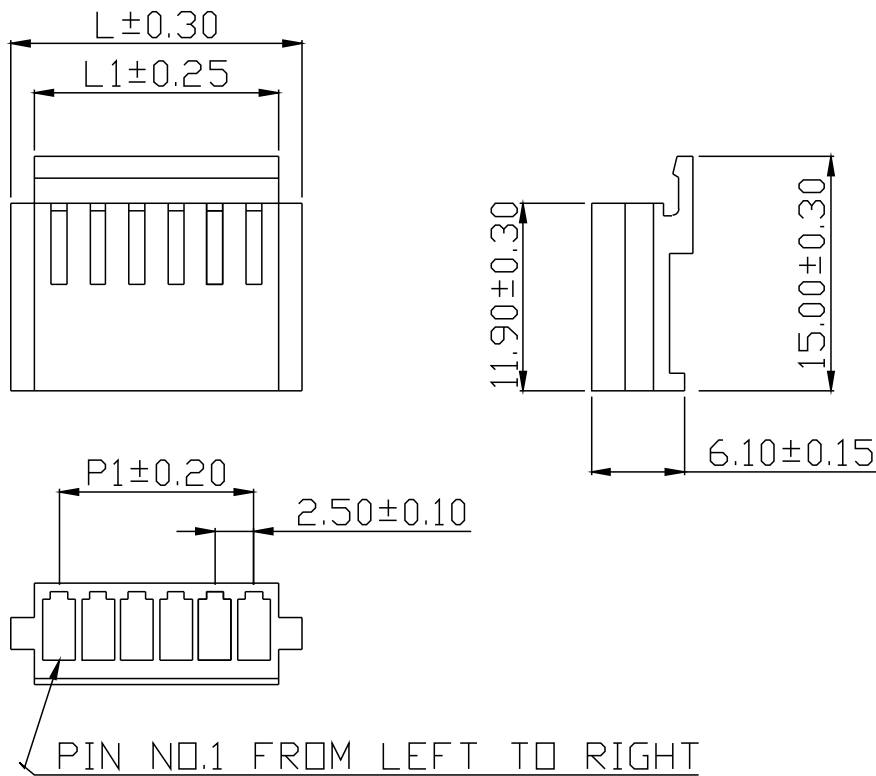
絕緣阻抗

Withstanding Voltage: 1000V AC/minute

耐電壓

Temperature Range: -25°C~+85°C

適用溫度



2.5mm

Unit: mm

Part No.	POS.	L	L1	P1	Pack.	Part No.	POS.	L	L1	P1	Pack.
P241872	2	8.70	5.90	2.50	1000	P2418712	12	33.70	30.90	27.50	500
P241873	3	11.20	8.40	5.00	1000	P2418713	13	36.20	33.40	30.00	500
P241874	4	13.70	10.90	7.50	1000	P2418714	14	38.70	35.90	32.50	500
P241875	5	16.20	13.40	10.00	500	P2418715	15	41.20	38.40	35.00	500
P241876	6	18.70	15.90	12.50	500	P2418716	16	43.70	40.90	37.50	500
P241877	7	21.20	18.40	15.00	500	P2418717	17	46.20	43.40	40.00	500
P241878	8	23.70	20.90	17.50	500	P2418718	18	48.70	45.90	42.50	500
P241879	9	26.20	23.40	20.00	500	P2418719	19	51.20	48.40	45.00	500
P2418710	10	28.70	25.90	22.50	500	P2418720	20	53.70	50.90	47.50	500
P2418711	11	31.20	28.40	25.00	500						

24187 Wire to Board Connectors

TERMINAL

Part No.: 24187BS-2 24187PS-2

產品編號

Thickness: 0.20mm

銅板厚度

Material: Brass (BS) Phosphor Bronze (PS)

材質 黃銅 磷青銅

Surface Treatment: Tin-plated

表面處理 鍍錫

Applicable Wire: AWG# 20-24

適用電線

Insulation O.D.: 1.30~1.80mm

線皮外徑

Suitable Housing: P241872~P2418720

配合塑膠

Suitable Connector: M241872~M2418720

配合公座

M241872R~M2418720R

Packing: 7,500PCS(Reel)

包裝數量

PERFORMANCE

Electrical Rating: AC/DC 250V 3A

額定電壓電流

Insulation Resistance: 1000MΩ min.

絕緣阻抗

Withstanding Voltage: 1000V AC/minute

耐電壓

Temperature Range: -25°C~+85°C

適用溫度



2.5mm

