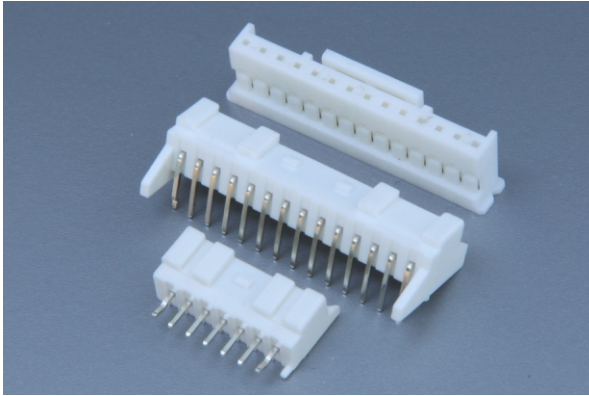


242151



Pitch 2.0mm Wire to Board (Lock) Connectors



PERFORMANCE

Electrical Rating: AC/DC 250V 3A

額定電壓電流

Insulation Resistance: 1000MΩ min.

絕緣阻抗

Withstanding Voltage: 800V AC/minute

耐電壓

Temperature Range: -25°C~+85°C

適用溫度



CONNECTOR - Lock Type

Part No.: MK242151P2~MK242151P15

產品編號

Material: Housing: P.B.T 94V-0

材質 塑膠座

Contact Pin: Brass

接觸針 黃銅

Suitable Contact: 24215PS-2

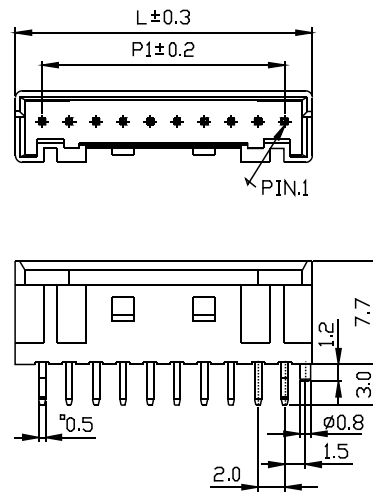
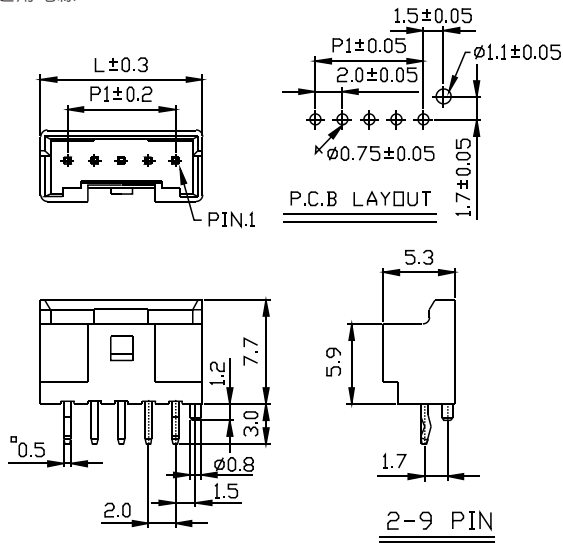
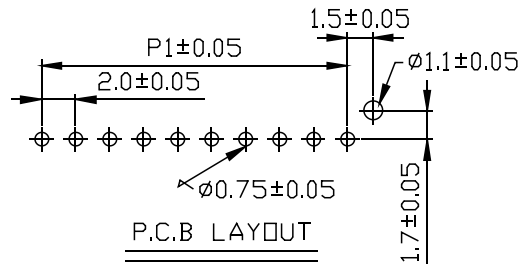
配合端子

Suitable Connector: PK242151P2~PK242151P15

配合塑膠

Applicable Wire: AWG# 24~30

適用電線



TOLERANCE	
.0	±0.25
.00	±0.20

Unit: mm

Part No.	POS.	L	P1	Pack.	Part No.	POS.	L	P1	Pack.
MK242151P2	2	6.0	2.00	1000	MK242151P9	9	20.00	16.00	1000
MK242151P3	3	8.0	4.00	1000	MK242151P10	10	22.00	18.00	500
MK242151P4	4	10.00	6.00	1000	MK242151P11	11	24.00	20.00	500
MK242151P5	5	14.00	8.00	1000	MK242151P12	12	26.00	22.00	500
MK242151P6	6	16.00	10.00	1000	MK242151P13	13	28.00	24.00	500
MK242151P7	7	18.00	12.00	1000	MK242151P14	14	30.00	26.00	500
MK242151P8	8	20.00	14.00	1000	MK242151P15	15	32.00	28.00	500

Behave in conformity with continual product development policy, Sin Sheng (STM) reserves the right of specification changing of contents described in this catalogue at any time and without prior notice. Please contact the sales department nearby for most updated information. 由於產品持續開發的政策, 信盛(STM)保留隨時變更目錄所述之規格且不需提前通知的權利。請聯繫業務處查詢最新的產品資訊。

242151 Wire to Board (Lock) Connectors

CONNECTOR - Lock Type

Part No.: MK242151P3R~MK242151P15R

產品編號

Material: Housing: P.B.T 94V-0

材質 塑膠座

Contact Pin: Brass, Tin-plated

接觸針 黃銅, 鍍錫

Suitable Contact: 24215PS-2

配合端子

Suitable Connector: PK242151P2~PK242151P15

配合塑膠

Applicable Wire: AWG# 24~30

適用電線

PERFORMANCE

Electrical Rating: AC/DC 250V 3A

額定電壓電流

Insulation Resistance: 1000MΩ min.

絕緣阻抗

Withstanding Voltage: 800V AC/minute

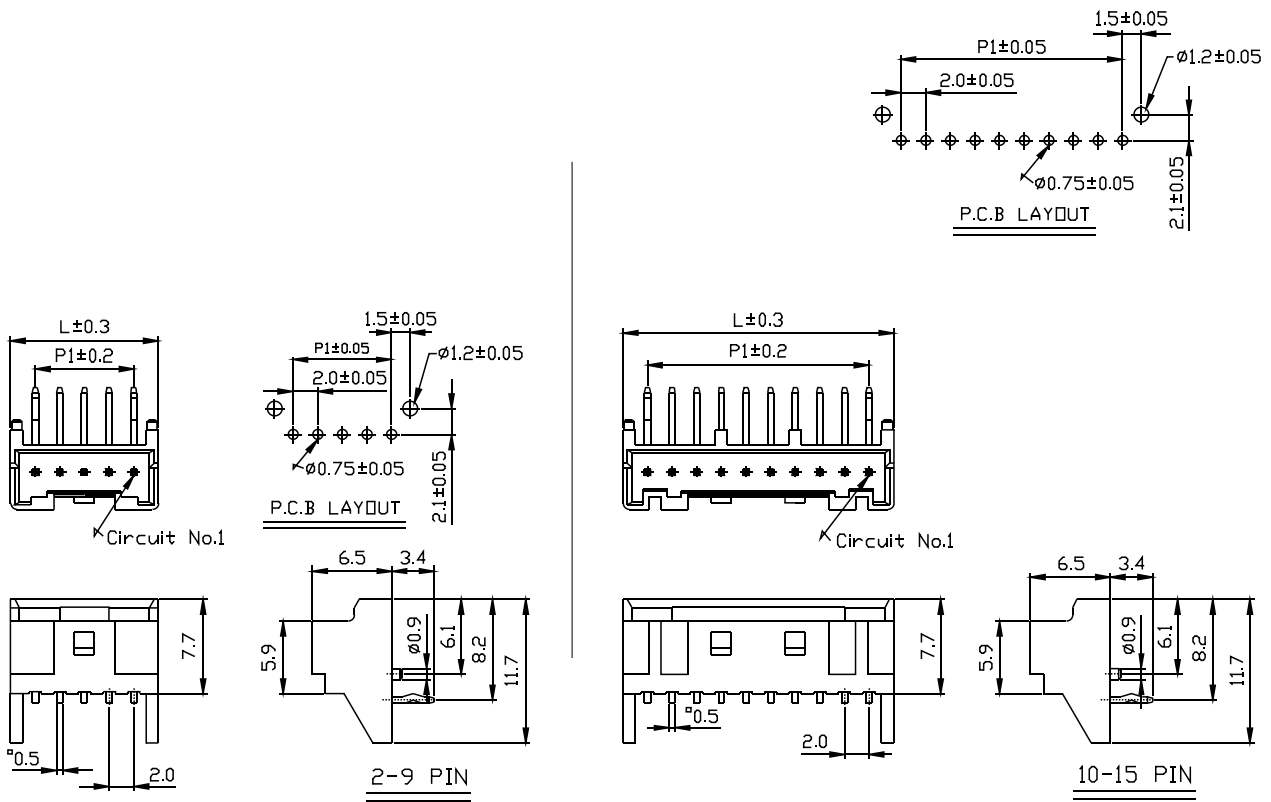
耐電壓

Temperature Range: -25°C~+85°C

適用溫度



2.0mm



TOLERANCE	
.0	± 0.25
.00	± 0.20

Unit: mm

Part No.	POS.	L	P1	Pack.	Part No.	POS.	L	P1	Pack.
MK242151P2R	2	6.0	2.00	1000	MK242151P9R	9	20.00	16.00	1000
MK242151P3R	3	8.0	4.00	1000	MK242151P10R	10	22.00	18.00	500
MK242151P4R	4	10.00	6.00	1000	MK242151P11R	11	24.00	20.00	500
MK242151P5R	5	14.00	8.00	1000	MK242151P12R	12	26.00	22.00	500
MK242151P6R	6	16.00	10.00	1000	MK242151P13R	13	28.00	24.00	500
MK242151P7R	7	18.00	12.00	1000	MK242151P14R	14	30.00	26.00	500
MK242151P8R	8	20.00	14.00	1000	MK242151P15R	15	32.00	28.00	500

242151 Wire to Board (Lock) Connectors

HOUSING - Lock Type

Part No.: PK242151P2~PK242151P15

產品編號

Material: Nylon 94V-0

材質

Suitable Contact: 24215PS-2

配合端子

Suitable Connector:

配合公座

MK242151P2~MK242151P15

MK242151P2R~MK242151P15R

Applicable Wire: AWG# 24~30

適用電線

PERFORMANCE

Electrical Rating: AC/DC 250V 3A

額定電壓電流

Insulation Resistance: 1000MΩ min.

絕緣阻抗

Withstanding Voltage: 800V AC/minute

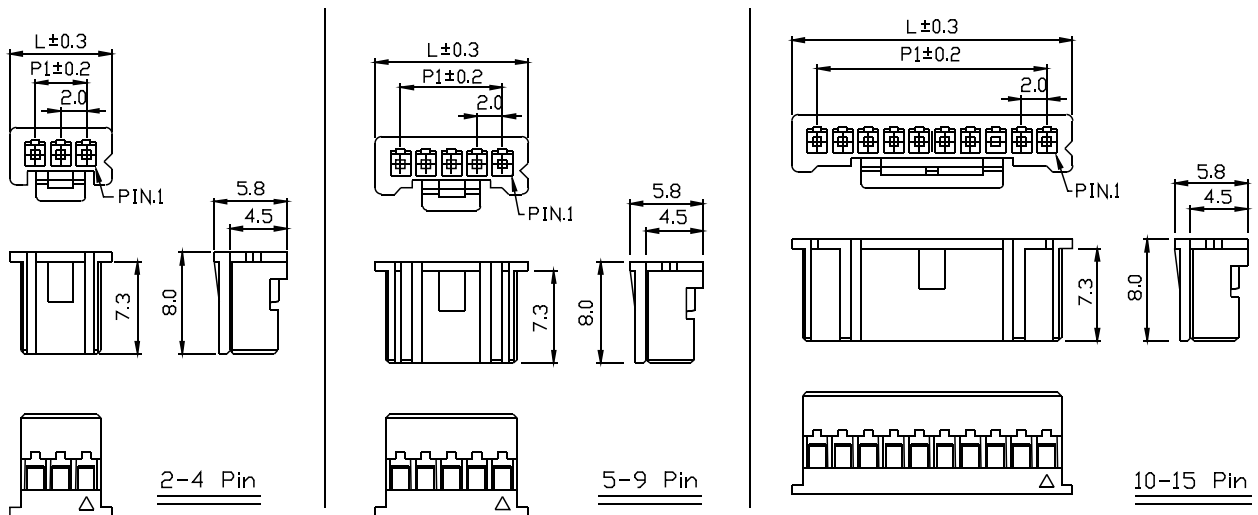
耐電壓

Temperature Range: -25°C~+85°C

適用溫度



2.0mm



TOLERANCE	
.0	±0.25
.00	±0.20

Unit: mm

Part No.	POS.	L	P1	Pack.	Part No.	POS.	L	P1	Pack.
PK242151P2	2	6.0	2.00	1000	PK242151P9	9	20.00	16.00	1000
PK242151P3	3	8.0	4.00	1000	PK242151P10	10	22.00	18.00	500
PK242151P4	4	10.00	6.00	1000	PK242151P11	11	24.00	20.00	500
PK242151P5	5	14.00	8.00	1000	PK242151P12	12	26.00	22.00	500
PK242151P6	6	16.00	10.00	1000	PK242151P13	13	28.00	24.00	500
PK242151P7	7	18.00	12.00	1000	PK242151P14	14	30.00	26.00	500
PK242151P8	8	20.00	14.00	1000	PK242151P15	15	32.00	28.00	500

242151 Wire to Board (Lock) Connectors

TERMINAL

Part No.: 24215PS-2

產品編號

Thickness: 0.20mm

銅板厚度

Material: Phosphor Bronze

材質 磷青銅

Surface Treatment: Tin-plated

表面處理 鍍錫

Suitable Housing: PD24215P2~PD24215P20

配合塑膠

PDK24215P2~PDK24215P20

PK242151P2~PK242151P15

MD24215P2~MD24215P20

MD24215P2R~MD24215P20R

MDK24215P3~MDK24215P20

MK242151P2~MK242151P15

MK242151P2R~MK242151P15R

PERFORMANCE

Electrical Rating: AC/DC 250V 3A

額定電壓電流

Insulation Resistance: 1000MΩ min.

絕緣阻抗

Withstanding Voltage: 800V AC/minute

耐電壓

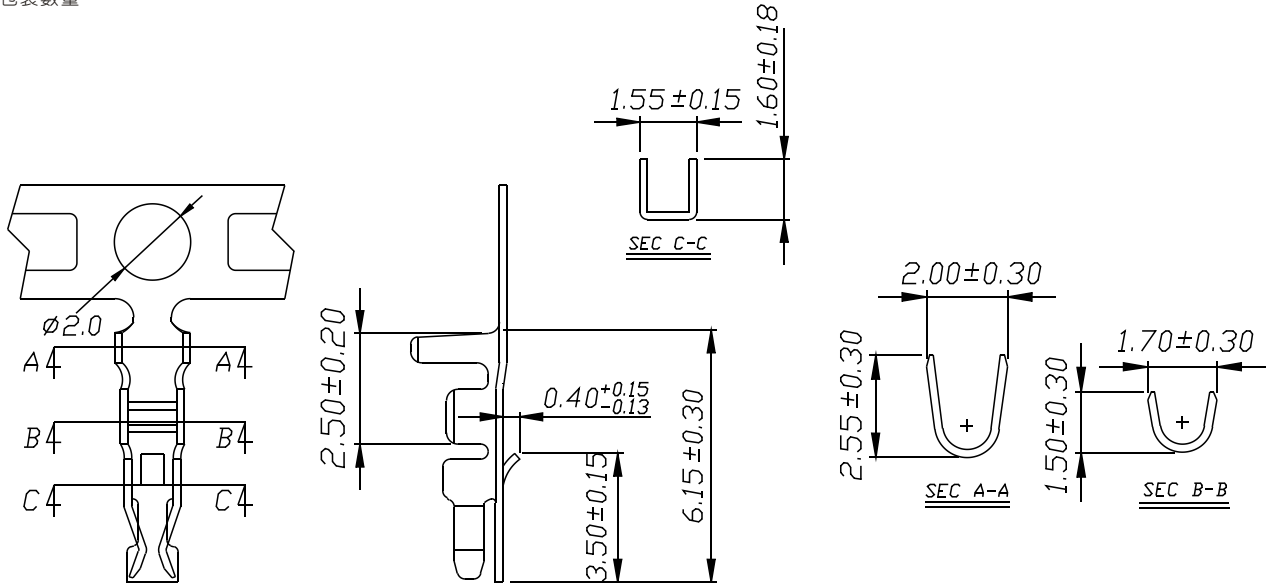
Temperature Range: -25°C~+85°C

適用溫度



Packing: 10,000PCS(Reel)

包裝數量



Notes

Item	Description
Suitable Connector 配合公座	MD24215P2~MD24215P20 MD24215P2R~MD24215P20R MDK24215P3~MDK24215P20 MK242151P2~MK242151P15 MK242151P2R~MK242151P15R
Suitable Housing 配合塑膠	PD24215P2~PD24215P20 PDK24215P3~PDK24215P20 PK242151P2~PK242151P15
Suitable Wire 適用電線	24215PS-2 AWG#24~28 (1.2~1.6mm)

2.0mm